

TL-98E

Parts list

Teilekatalog

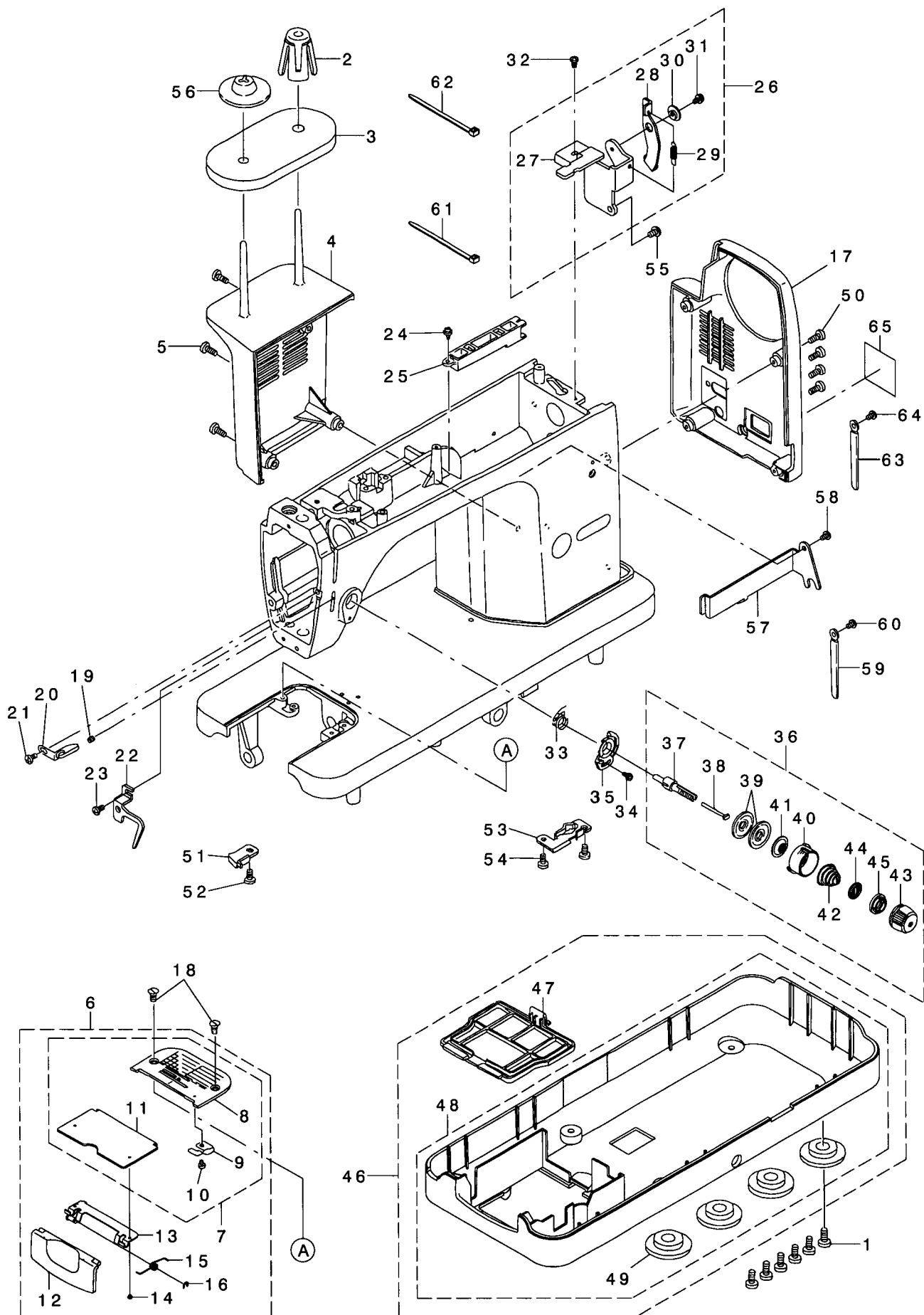
Catalogue de pièces détachées

A9901-E98-Z00

CONTENTS

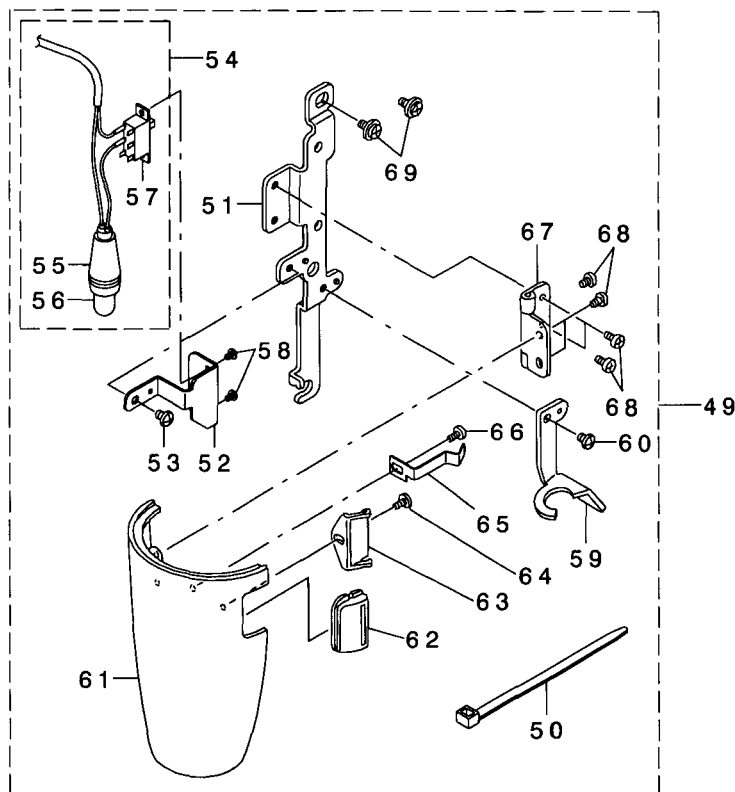
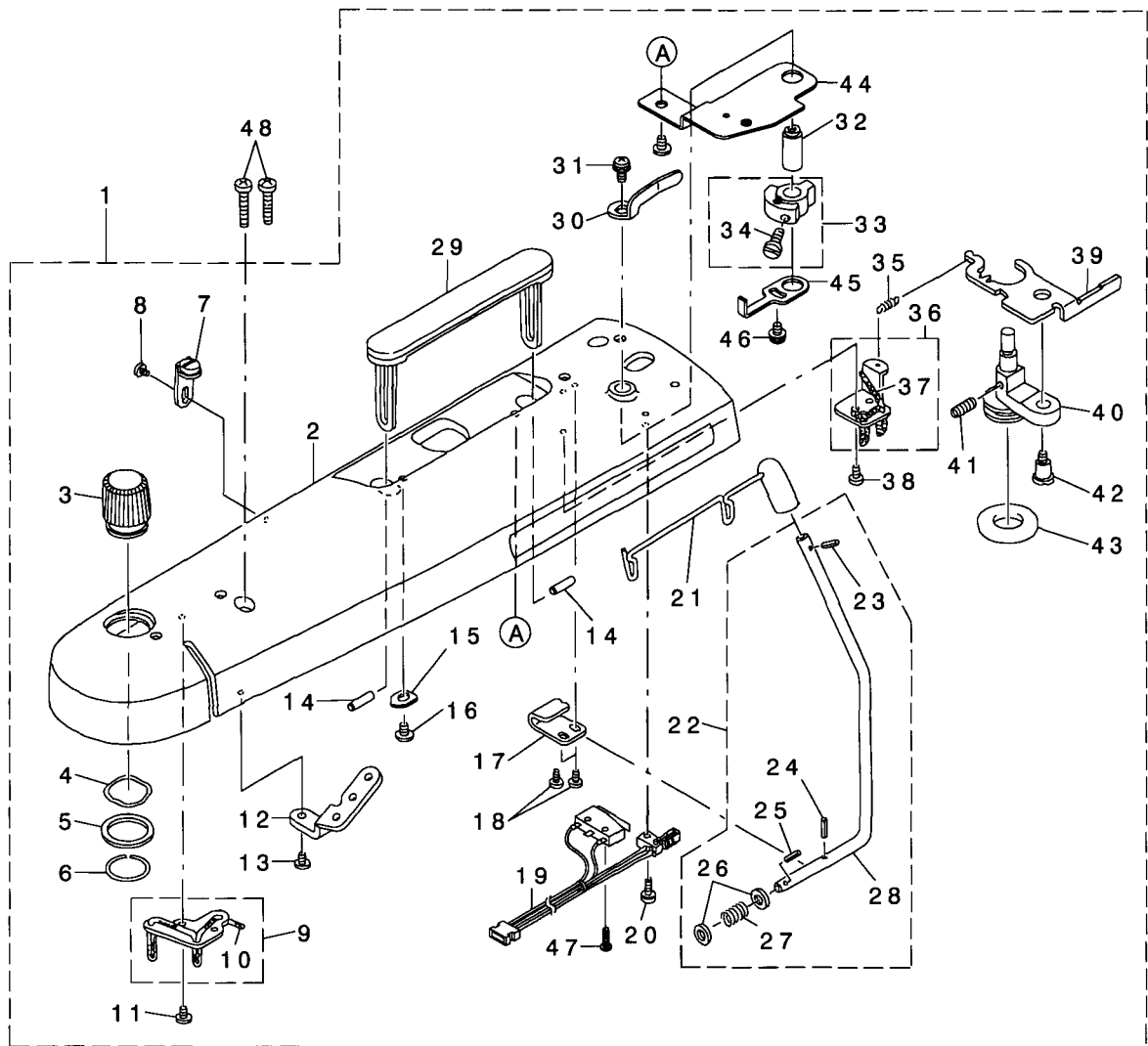
| | |
|--|----|
| 1. HEAD AND OUTER COMPONENTS | 1 |
| 2. ARM COVER, FACE PLATE AND LAMP COMPONENTS | 3 |
| 3. MAIN SHAFT, THREAD TAKE-UP AND IDLER COMPONENTS | 5 |
| 4. NEEDLE BAR, HOOK DRIVING SHAFT AND THREADER COMPONENTS | 7 |
| 5. FEED MECHANISM COMPONENTS | 9 |
| 6. DROP FEED KNOB COMPONENTS | 11 |
| 7. PRESSER, KNEE LIFTER, WIRE HOLDER AND THREAD RELEASE COMPONENTS | 13 |
| 8. MOTOR AND MAIN CIRCUIT BOARD COMPONENTS | 15 |
| 9. MOVING KNIFE, LOOPER AND THREAD TRIMMER SOLENOID COMPONENTS | 17 |
| 10. ACCESSORIES AND PACKING COMPONENTS | 19 |
| 11. SEPARATELY-SOLD COMPONENTS | 21 |

1. HEAD AND OUTER COMPONENTS



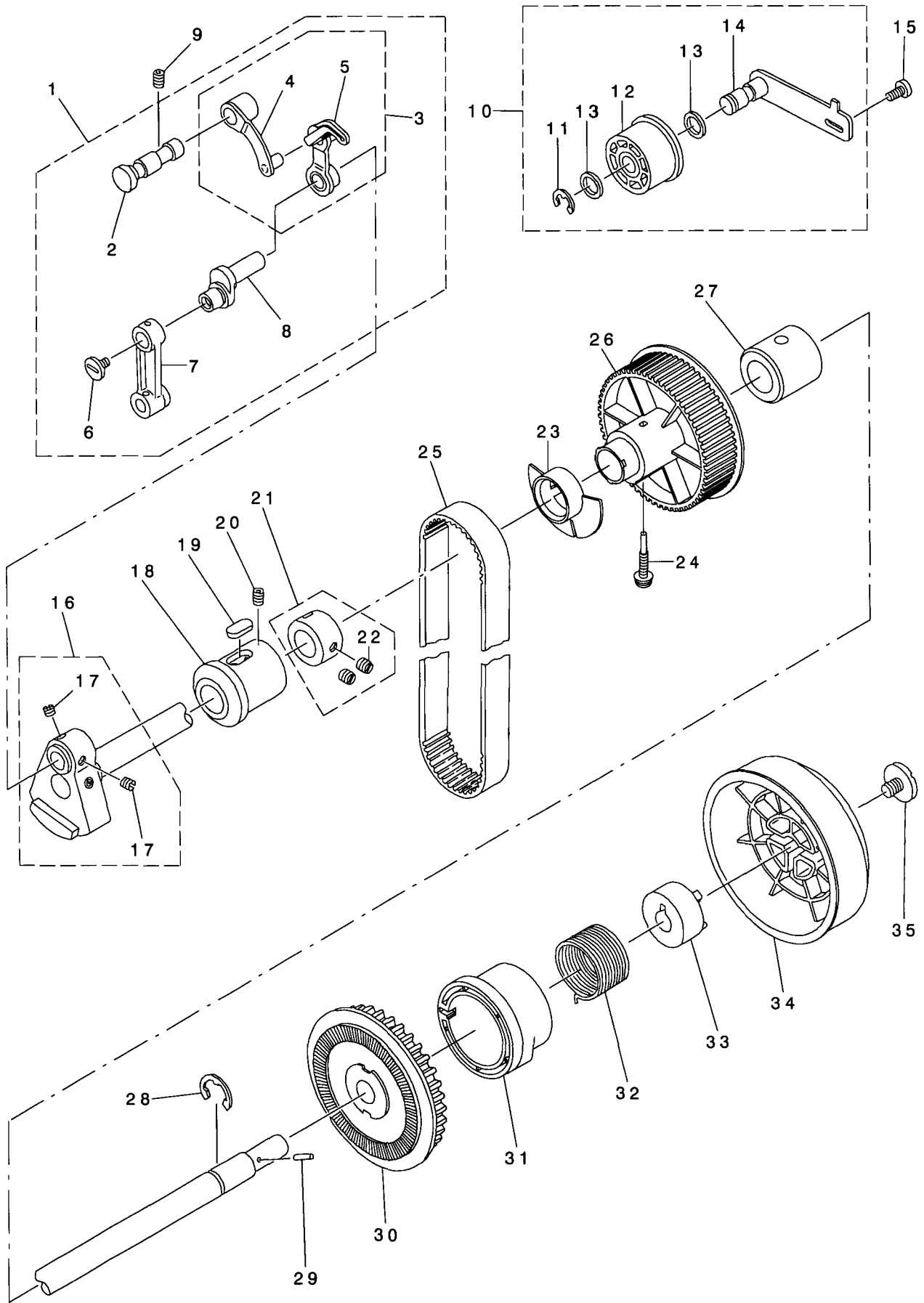
| NO. | NOTE | PART NO. | DESCRIPTION | Qty |
|-----|------|---------------|-------------------------------------|-----|
| 1 | | SM-5051255-SN | SCREW | 6 |
| 2 | | A1120-202-000 | BOBBIN WINDER DEFLECTION STOPPER | 1 |
| 3 | | A1121-090-000 | BOBBIN WINDER SHEET | 1 |
| 4 | | A7105-090-000 | MOTOR COVER | 1 |
| 5 | | SM-5041255-SN | SCREW | 3 |
| 6 | | A1109-E98-ZC0 | NEEDLE PLATE WHOLE MAS. ASM. | 1 |
| 7 | | A1109-E98-ZB0 | NEEDLE PLATE MAS. ASM. | (1) |
| 8 | | A1109-E98-Z00 | NEEDLE PLATE | (1) |
| 9 | | A1112-090-000 | SPRING | (1) |
| 10 | | SM-4020201-SN | SCREW | (1) |
| 11 | | A1110-D98-0A0 | BOBBIN CASE COVER ASM. | (1) |
| 12 | | A1112-D98-000 | SIDE COVER | (1) |
| 13 | | A1113-E98-ZA0 | STOPPER PLATE ASM. | (1) |
| 14 | | SM-4020201-SN | SCREW | (2) |
| 15 | | A1118-E98-Z00 | SPRING | (1) |
| 16 | | RE-0300000-K0 | E-RING | (1) |
| 17 | | A7103-E98-Z00 | BELT COVER | 1 |
| 18 | | SM-1040800-SL | SCREW | 2 |
| 19 | | SM-8040602-TP | SCREW | 1 |
| 20 | | A3114-090-000 | THREAD GUIDE | 1 |
| 21 | | SM-5030655-SN | SCREW | 1 |
| 22 | | A3135-096-000 | THREAD TENSION THREAD GUIDE | 1 |
| 23 | | SM-4040855-SP | SCREW | 1 |
| 24 | | SL-5030831-SF | SCREW | 1 |
| 25 | | A5001-090-000 | CORD GUIDE | 1 |
| 26 | | A5000-096-0A0 | CORD GUIDE PLATE ASM. | 1 |
| 27 | | A5000-096-000 | CORD GUIDE PLATE | (1) |
| 28 | | A5002-096-000 | CLUTCH PLATE | (1) |
| 29 | | A3206-030-000 | SPRING | (1) |
| 30 | | A2435-033-000 | LINK COLLAR | (1) |
| 31 | | SL-5030635-SN | SCREW | (1) |
| 32 | | SM-5030655-SN | SCREW | 1 |
| 33 | | A3128-096-000 | THREAD TAKE-UP SPRING | 1 |
| 34 | | SL-5030801-SN | SCREW | 1 |
| 35 | | A3111-D98-000 | ADJUSTING PLATE | 1 |
| 36 | | A3122-D98-0A0 | THREAD TENSIONER ASM. | 1 |
| 37 | | A3112-090-000 | THREAD TENSION POST | (1) |
| 38 | | A3127-090-000 | TENSION RELEASE PIN | (1) |
| 39 | | B3126-012-000 | THREAD TENSION DISK | (2) |
| 40 | | A3132-D98-000 | DISK PRESSER | (1) |
| 41 | | A3133-D98-000 | DISK PRESSER PLATE | (1) |
| 42 | | B3129-012-A00 | THREAD TENSION SPRING A | (1) |
| 43 | | A3124-096-000 | KNOB | (1) |
| 44 | | B3120-125-000 | ROTATION STOPPER | (1) |
| 45 | | A3124-096-A00 | KNOB RATCHET | (1) |
| 46 | | A1160-E98-ZB0 | BED COVER MAS. ASM. | 1 |
| 47 | | A1161-090-000 | BED COVER LID | (1) |
| 48 | | A1160-E98-ZA0 | BED COVER ASM. | (1) |
| 49 | | A1160-090-00A | RUBBER SEAT | (4) |
| 50 | | SM-5041255-SN | SCREW | 4 |
| 51 | | A8521-090-000 | AUXILIARY TABLE SUPPORTING PLATE A | 1 |
| 52 | | SM-5040855-SN | SCREW | 1 |
| 53 | | A8522-090-000 | AUXILIARY TABLE SUPPORTING PLATE B | 1 |
| 54 | | SM-5040855-SN | SCREW | 2 |
| 55 | | SM-5040655-SN | SCREW (LOWER) | 1 |
| 56 | | A1150-090-000 | SPOOL CUSHION | 1 |
| 57 | | A4502-E98-Z00 | CORD GUIDE PLATE | 1 |
| 58 | | SM-5040601-SE | SCREW | 1 |
| 59 | | A3811-550-000 | CORD HOLDER | 1 |
| 60 | | SM-5040601-SE | SCREW | 1 |
| 61 | | A4078-550-00B | CLIP BAND | 1 |
| 62 | | A4078-550-00B | CLIP BAND | 1 |
| 63 | | A3811-550-000 | CORD HOLDER | 1 |
| 64 | | SM-5040601-SE | SCREW | 1 |
| 65 | | A7103-E98-Z0A | WARNING LABEL FOR POWER SUPPLY CORD | 1 |

2. ARM COVER, FACE PLATE AND LAMP COMPONENTS



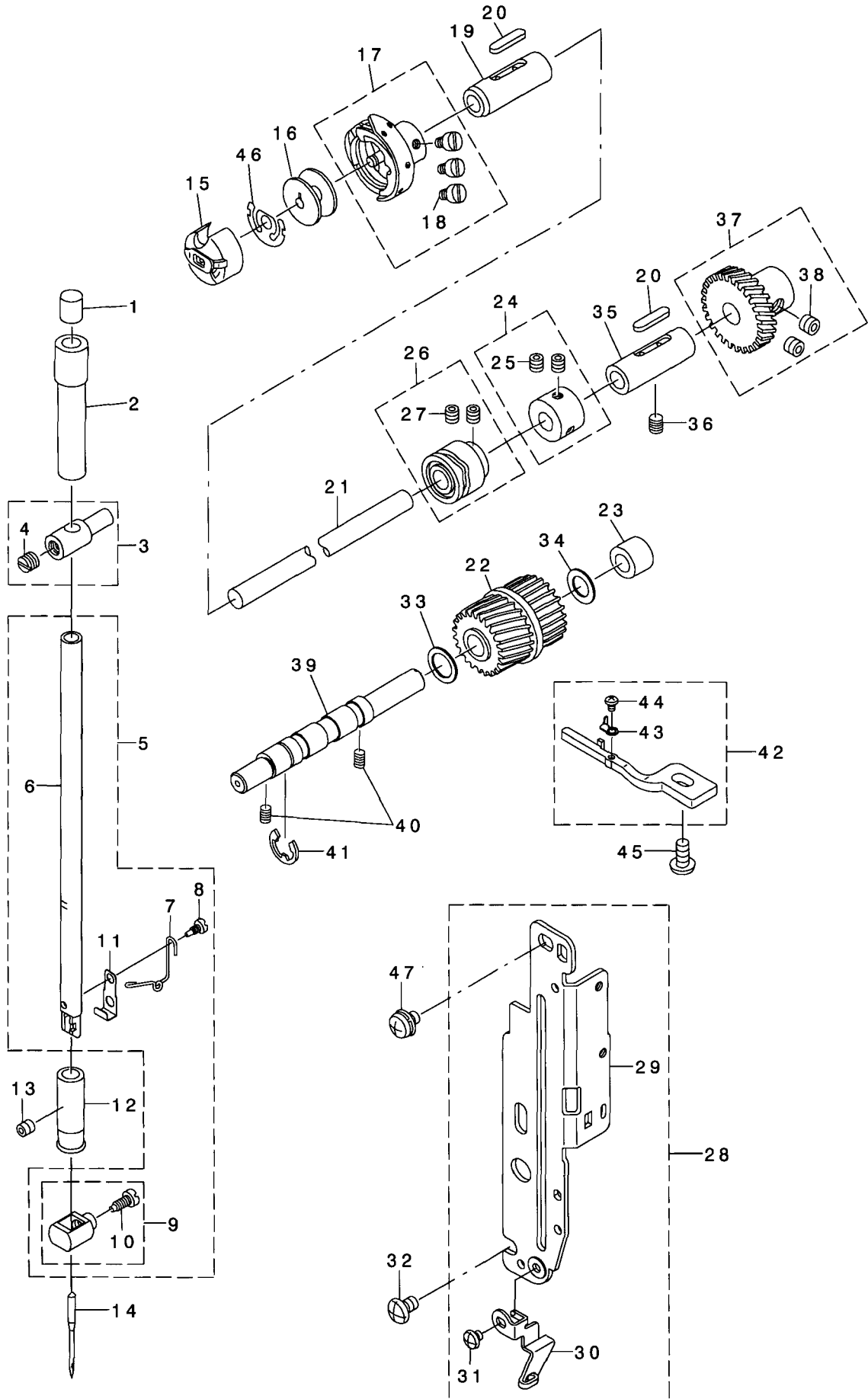
| NO. | NOTE | PART NO. | DESCRIPTION | Qty |
|-----|------|----------------|---------------------------------------|-----|
| 1 | | A1135-E98-ZB0 | ARM COVER MAS. ASM. | 1 |
| 2 | | A1135-E98-ZA0B | ARM COVER ASM. | (1) |
| 3 | | A1502-090-000 | KNOB | (1) |
| 4 | | A1502-090-00C | WASHER | (1) |
| 5 | | A1502-090-00B | WASHER | (1) |
| 6 | | A1502-090-00A | STOP RING | (1) |
| 7 | | A3231-957-0A0 | THREAD GUIDE BASE ASM. | (1) |
| 8 | | SM-5030655-SN | SCREW | (1) |
| 9 | | A1136-090-0AA | STOPPER PLATE A ASM. | (1) |
| 10 | | A1138-090-00A | OIL WICK A | (1) |
| 11 | | SM-5030655-SN | SCREW | (1) |
| 12 | | A1128-096-000 | THREAD GUIDE NO. 1 | (1) |
| 13 | | SM-5030655-SN | SCREW | (1) |
| 14 | | A1137-090-000 | HANDLE GUIDE SHAFT | (2) |
| 15 | | A1138-500-000A | WASHER | (1) |
| 16 | | SM-5040655-SN | SCREW | (2) |
| 17 | | A1116-090-000 | THREAD GUIDE SUPPORT | (1) |
| 18 | | SM-5030655-SN | SCREW | (2) |
| 19 | | A3226-096-0A0 | BOBBIN WINDER SWITCH ASM. | (1) |
| 20 | | SL-5031031-SE | SCREW | (1) |
| 21 | | A1115-090-000A | THREAD GUIDE | (1) |
| 22 | | A1114-090-0A0 | THREAD GUIDE POST ASM. | (1) |
| 23 | | A1115-090-00A | PIN | (1) |
| 24 | | PS-0200102-KH | THREAD GUIDE POST PIN | (1) |
| 25 | | PS-0200122-KH | STOPPER PIN | (1) |
| 26 | | WP-0531001-SD | WASHER | (2) |
| 27 | | A1117-072-000 | SPRING | (1) |
| 28 | | A1114-090-000 | THREAD GUIDE POST | (1) |
| 29 | | A1134-090-0A0 | HANDLE ASM. | (1) |
| 30 | | A3217-072-000 | BOBBIN HOLDER | (1) |
| 31 | | SL-5030801-SN | SCREW | (1) |
| 32 | | A3218-096-000 | BOBBIN HOLDER SHAFT | (1) |
| 33 | | A3219-096-0A0 | BOBBIN WINDER CONTROLLER ASM. | (1) |
| 34 | | SM-4041055-SF | SCREW | (1) |
| 35 | | A3222-090-000 | SPRING | (1) |
| 36 | | A1136-090-0AB | OIL WICK HOLDER PLATE B ASM. | (1) |
| 37 | | A1138-090-00B | OIL WICK B | (1) |
| 38 | | SM-5030655-SN | SCREW | (1) |
| 39 | | A3221-096-000 | ADJUSTING PLATE | (1) |
| 40 | | A3204-090-0A0 | BOBBIN WINDER ASM. | (1) |
| 41 | | A3208-958-000 | SPRING | (1) |
| 42 | | A3205-090-000 | SCREW | (1) |
| 43 | | A3216-001-00A | RUBBER RING | (1) |
| 44 | | A3235-096-000 | BOBBIN WINDER SWITCH INSTALLING PLATE | (1) |
| 45 | | A3236-096-000 | CONTACT PLATE | (1) |
| 46 | | SL-5030635-SN | SCREW | (1) |
| 47 | | SM-4830801-SN | SCREW | (1) |
| 48 | | SM-5042005-SN | SCREW | 2 |
| 49 | | A3805-E98-ZA0 | FACE PLATE ASM. | 1 |
| 50 | | A4078-550-00B | LAMP CLIP BAND | (2) |
| 51 | | A3805-096-000 | FACE PLATE | (1) |
| 52 | | A3802-096-000 | LAMP SWITCH INSTALLING PLATE | (1) |
| 53 | | SM-5030455-SF | SCREW | (1) |
| 54 | | A3801-096-0A0 | LAMP SOCKET ASM. | (1) |
| 55 | | A3801-096-000 | LAMP SOCKET | (1) |
| 56 | | A3803-096-000 | LAMP BULB | (1) |
| 57 | | HA-0034600-0A | SLIDE SWITCH | (1) |
| 58 | | SM-4020301-SC | SCREW | (2) |
| 59 | | A3804-096-000 | LAMP INSTALLING BASE | (1) |
| 60 | | SM-5030455-SF | SCREW | (1) |
| 61 | | A3115-090-000 | FACE COVER | (1) |
| 62 | | A3116-D98-000 | PRESSURE INDICATING PLATE | (1) |
| 63 | | A3117-090-000 | HOLDING PLATE | (1) |
| 64 | | SM-5030655-SN | SCREW | (1) |
| 65 | | A3119-096-000 | SPRING | (1) |
| 66 | | SM-5030655-SN | SCREW | (1) |
| 67 | | A3118-090-0A0 | FACE COVER LATCH ASM. | (1) |
| 68 | | SM-5030655-SN | SCREW | (4) |
| 69 | | SL-5040631-SE | SCREW | (2) |

3. MAIN SHAFT, THREAD TAKE-UP AND IDLER COMPONENTS



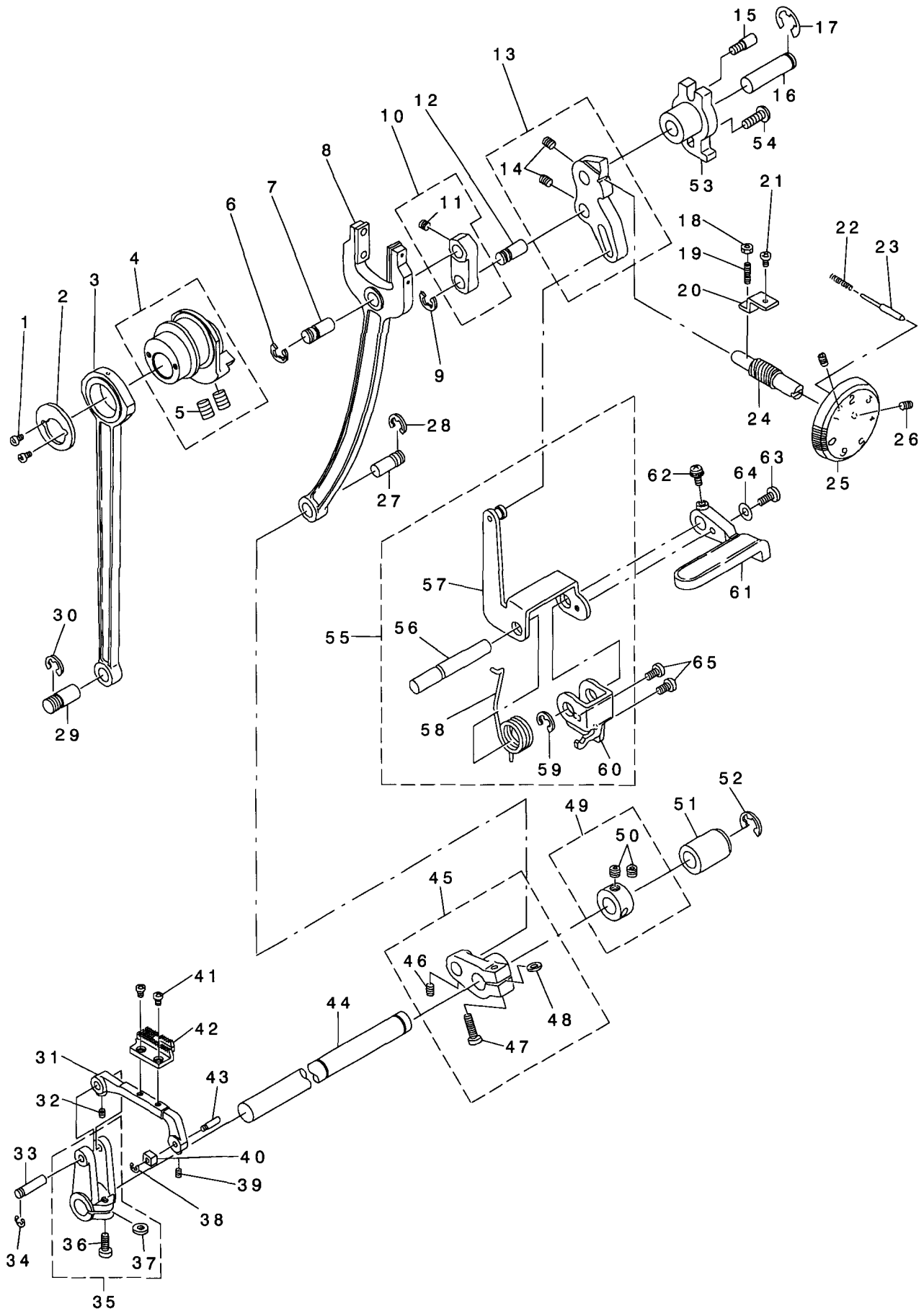
| NO. | NOTE | PART NO. | DESCRIPTION | Qty |
|-----|------|---------------|---------------------------------|-----|
| 1 | | A1901-090-0C0 | THREAD TAKE-UP MAS. ASM. | 1 |
| 2 | | A1902-090-000 | THREAD TAKE-UP SUPPORTING SHAFT | (1) |
| 3 | | A1901-090-0B0 | THREAD TAKE-UP ASM. | (1) |
| 4 | | A1904-090-0A0 | THREAD TAKE-UP SUPPORT ASM. | (1) |
| 5 | | A1901-090-0A0 | THREAD TAKE-UP BODY ASM. | (1) |
| 6 | | A1219-907-000 | LEFT SCREW | (1) |
| 7 | | A1408-090-000 | NEEDLE BAR CRANK ROD | (1) |
| 8 | | A1209-072-000 | NEEDLE BAR CRANK | (1) |
| 9 | | SM-8050602-TP | SCREW | 1 |
| 10 | | A7201-090-0B0 | IDLER MAS. ASM. | 1 |
| 11 | | RE-0600000-K0 | E-RING | (1) |
| 12 | | A7203-090-0A0 | IDLER ASM. | (1) |
| 13 | | A7204-090-000 | WASHER | (2) |
| 14 | | A7201-090-0A0 | IDLER INSTALLING PLATE ASM. | (1) |
| 15 | | SM-5040855-SN | SCREW | 1 |
| 16 | | A1201-D98-0A0 | MAIN SHAFT ASM. | 1 |
| 17 | | SM-8060502-TP | SCREW | (2) |
| 18 | | A1202-090-000 | MAIN SHAFT FRONT BUSHING | 1 |
| 19 | | A1203-007-000 | FELT | 1 |
| 20 | | SM-8050602-TP | SCREW | 1 |
| 21 | | A1205-090-0A0 | MAIN SHAFT THRUST COLLAR ASM. | 1 |
| 22 | | SM-8060502-TP | SCREW | (2) |
| 23 | | A1210-D98-000 | MAIN SHAFT DETECTOR SHIELD | 1 |
| 24 | | A1226-D98-000 | SCREW | 1 |
| 25 | | A7110-090-000 | MAIN SHAFT TIMING-BELT | 1 |
| 26 | | A1227-D98-000 | MAIN SHAFT PULLEY | 1 |
| 27 | | A1204-090-000 | MAIN SHAFT REAR BUSHING | 1 |
| 28 | | RE-1000000-K0 | E-RING | 1 |
| 29 | | A1225-090-000 | STOPPER PIN | 1 |
| 30 | | A1232-090-000 | MOTOR PULLEY | 1 |
| 31 | | A1224-096-000 | CLUTCH SPRING SUPPORT | 1 |
| 32 | | A1248-096-000 | CLUTCH SPRING | 1 |
| 33 | | A1229-090-000 | HAND WHEEL BUSHING | 1 |
| 34 | | A1228-090-000 | HAND WHEEL | 1 |
| 35 | | A1230-500-000 | SCREW | 1 |

4. NEEDLE BAR, HOOK DRIVING SHAFT AND THREADER COMPONENTS



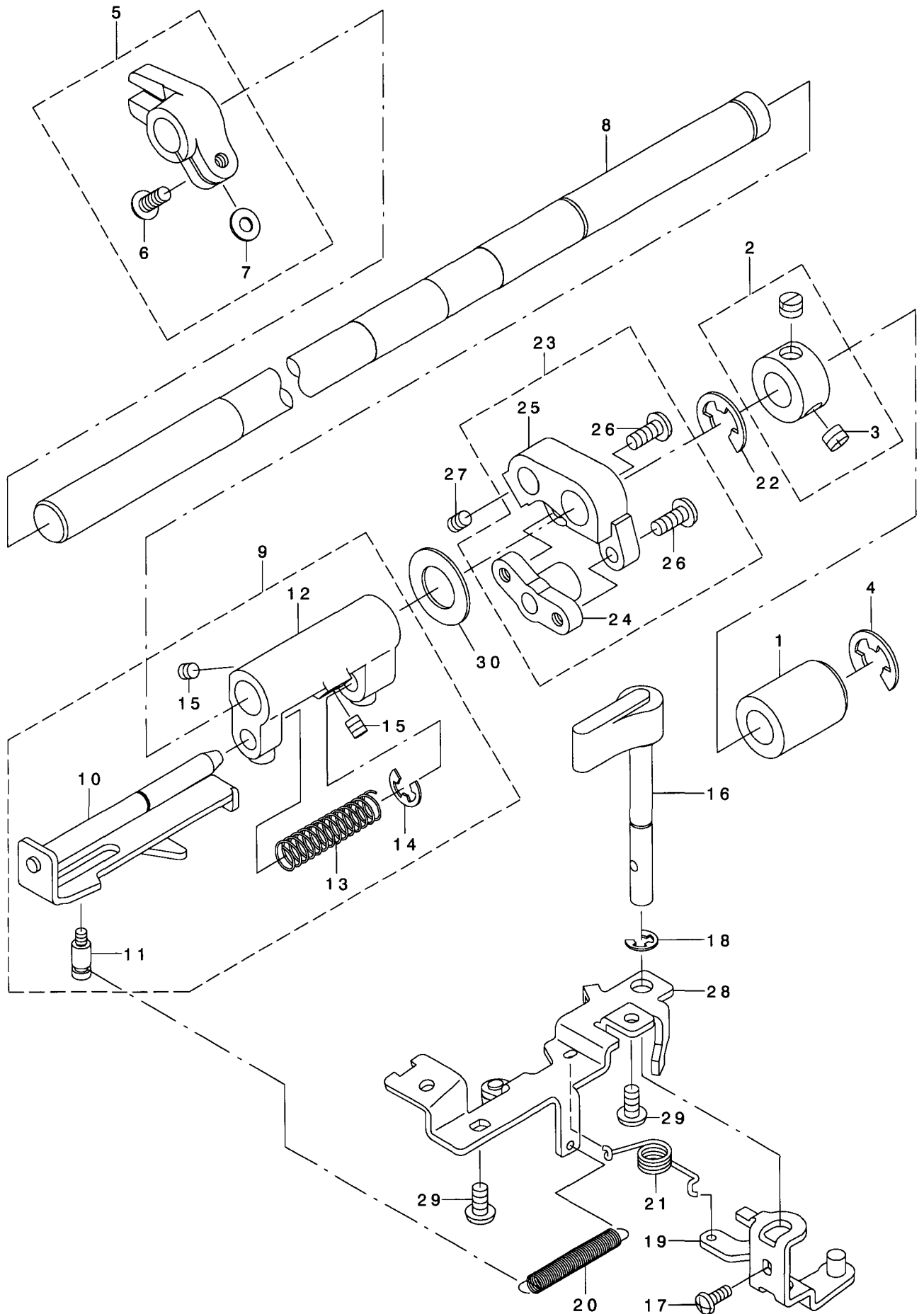
| NO. | NOTE | PART NO. | DESCRIPTION | Qty |
|-----|------|---------------|---------------------------------------|-----|
| 1 | | A1404-072-000 | FELT | 1 |
| 2 | | A1402-090-000 | NEEDLE BAR UPPER BUSHING | 1 |
| 3 | | A1411-090-0A0 | NEEDLE BAR CONNECTION ASM. | 1 |
| 4 | | SM-8060510-SP | SCREW | (1) |
| 5 | | A1401-096-0B0 | NEEDLE BAR ASM. | 1 |
| 6 | | A1401-096-000 | NEEDLE BAR | (1) |
| 7 | | A1416-096-00A | NEEDLE BAR THREAD BRACKET | (1) |
| 8 | | A1420-001-000 | SCREW | (1) |
| 9 | | A1416-096-0A0 | NEEDLE CLAMP ASM. | (1) |
| 10 | | A1417-096-000 | SCREW | (1) |
| 11 | | A1402-096-000 | NEEDLE MIS-INSERT PREVENTING PLATE | (1) |
| 12 | | A1403-090-000 | NEEDLE BAR LOWER-BUSHING | 1 |
| 13 | | SM-8040402-TP | SCREW | 1 |
| 14 | | MHA-100B1400 | NEEDLE(HA x 1 #14) | 1 |
| 15 | | A1837-090-0A0 | BOBBIN CASE ASM. | 1 |
| 16 | | A9117-007-000 | BOBBIN | 1 |
| 17 | | A1830-096-0A0 | HOOK ASM. | 1 |
| 18 | | SS-6110560-TP | SCREW | (3) |
| 19 | | A1802-007-000 | HOOK DRIVING SHAFT FRONT BUSHING | 1 |
| 20 | | B1806-038-000 | FELT | 2 |
| 21 | | A1801-D98-000 | HOOK DRIVING SHAFT | 1 |
| 22 | | A1807-090-000 | HOOK DRIVING SHAFT PULLEY | 1 |
| 23 | | A1809-096-00A | ECCENTRIC SHAFT BUSHING | 1 |
| 24 | | A1891-096-0A0 | HOOK DRIVING SHAFT THRUST COLLAR ASM. | 1 |
| 25 | | SM-8040402-TP | SCREW | (2) |
| 26 | | A2402-090-0A0 | THREAD CUTTER CAM ASM. | 1 |
| 27 | | SM-8050602-TP | SCREW | (2) |
| 28 | | A1450-E98-ZA0 | THREAD SUPPORTING PLATE ASM. | 1 |
| 29 | | A1450-096-000 | THREAD SUPPORTING PLATE | (1) |
| 30 | | A1419-096-000 | NEEDLE BAR THREAD GUIDE | (1) |
| 31 | | SM-5030355-SN | SCREW | (1) |
| 32 | | SM-4040655-SN | SCREW(LOWER) | 1 |
| 33 | | WP-0850616-SP | WASHER A | 1 |
| 34 | | WP-0700616-SP | WASHER B | 1 |
| 35 | | A1804-007-000 | HOOK DRIVING SHAFT REAR BUSHING | 1 |
| 36 | | SM-8050602-TP | SCREW | 1 |
| 37 | | A1805-D98-0A0 | HOOK DRIVING SHAFT GEAR ASM. | 1 |
| 38 | | SM-8050402-TP | SCREW | (2) |
| 39 | | A1809-D98-000 | PULLEY ECCENTRIC SHAFT | 1 |
| 40 | | SM-8040602-TP | SCREW | 2 |
| 41 | | RE-0600000-K0 | E-RING | 1 |
| 42 | | A1835-090-0A0 | BOBBIN CASE POSITIONING FINGER ASM. | 1 |
| 43 | | A1835-090-A00 | SPRING | (1) |
| 44 | | SM-4020301-SN | SCREW | (1) |
| 45 | | SM-5040855-SN | SCREW | 1 |
| 46 | | A1837-700-00A | IDLING PREVENTING SPRING | 1 |
| 47 | | SL-5040631-SE | SCREW(UPPER) | 1 |

5. FEEDMECHANISM COMPONENTS



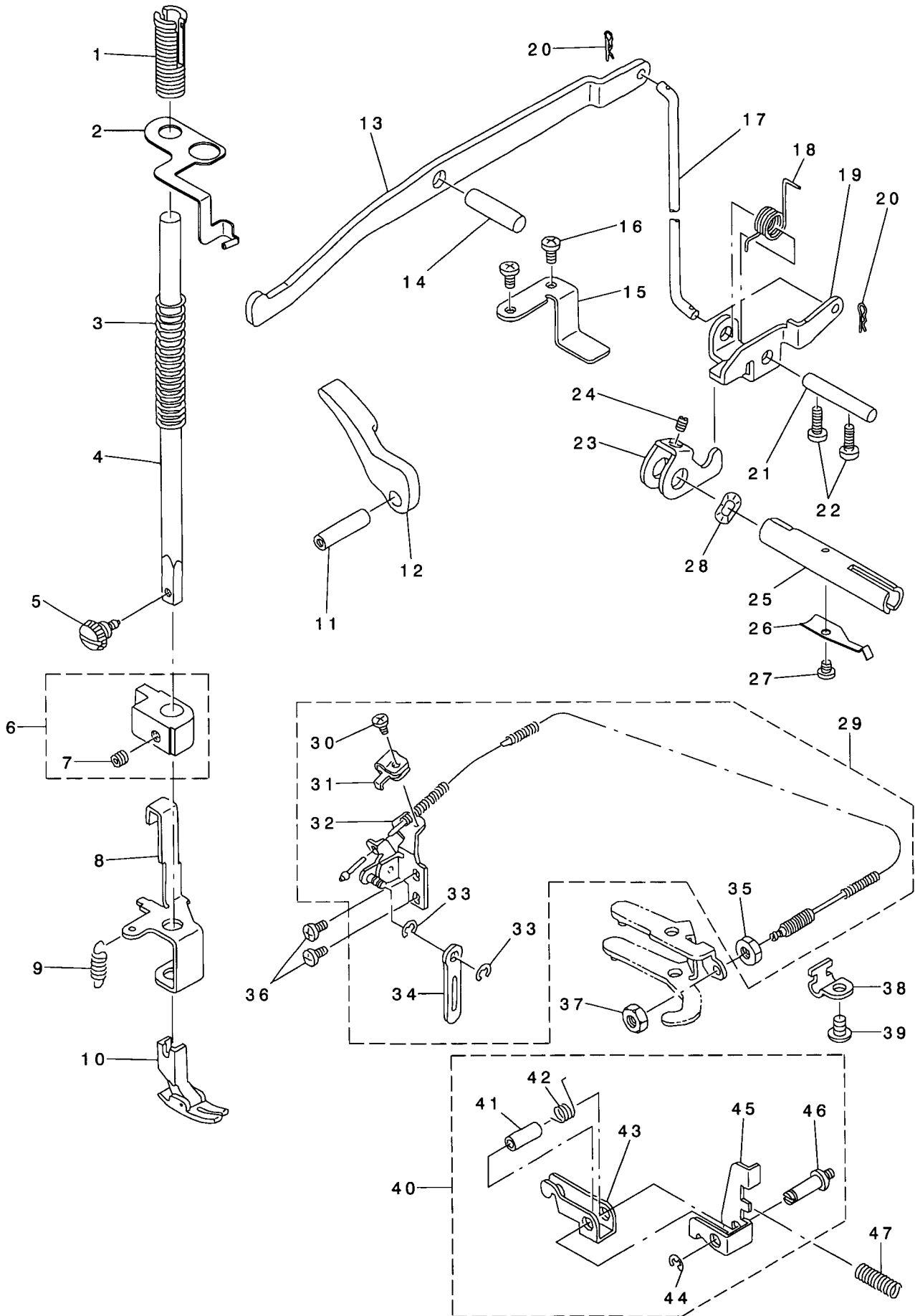
| NO. | NOTE | PART NO. | DESCRIPTION | Qty |
|-----|------|---------------|--|-----|
| 1 | | SM-4860655-SN | SCREW | 2 |
| 2 | | A1208-090-000 | FEED CAM THRUST PLATE | 1 |
| 3 | | A1701-090-000 | FEED ROD | 1 |
| 4 | | A1207-090-0A0 | FEED CAM ASM. | 1 |
| 5 | | SM-8060802-TP | SCREW | (2) |
| 6 | | RE-0600000-K0 | E-RING | 3 |
| 7 | | A1618-090-000 | CONNECTING SHAFT | 1 |
| 8 | | A1614-090-0A0 | FORKED ROD ASM. | 1 |
| 9 | | RE-0600000-K0 | E-RING | 1 |
| 10 | | A1619-090-0A0 | FORKED LINK ASM. | 1 |
| 11 | | SM-8050602-TP | SCREW | (1) |
| 12 | | A1618-090-000 | FORKED ROD SHAFT | 1 |
| 13 | | A1622-090-0A0 | FEED REGULATOR ASM. | 1 |
| 14 | | SM-8050602-TP | SCREW | (2) |
| 15 | | A1627-090-000 | ROTATION STOPPER | 1 |
| 16 | | A1625-090-000 | FEED REGULATOR SHAFT | 1 |
| 17 | | RE-0600000-K0 | E-RING | 1 |
| 18 | | NM-6030002-SF | NUT | 1 |
| 19 | | SM-8031400-TP | SCREW | 1 |
| 20 | | A1653-090-000 | STOPPER | 1 |
| 21 | | SM-5030655-SN | SCREW | 1 |
| 22 | | B1148-012-000 | SPRING | 1 |
| 23 | | A1147-090-000 | PIN | 1 |
| 24 | | A1652-090-000 | SCREW | 1 |
| 25 | | A1647-096-0A0 | FEED DIAL ASM. | 1 |
| 26 | | SM-8030402-TP | SCREW | 2 |
| 27 | | A1618-090-000 | FORKED ROD CONNECTING SHAFT | 1 |
| 28 | | RE-0600000-K0 | E-RING | 1 |
| 29 | | A1618-090-000 | FEED ROD CONNECTING SHAFT | 1 |
| 30 | | RE-0600000-K0 | E-RING | 1 |
| 31 | | A1602-090-000 | FEED BASE | 1 |
| 32 | | SM-8030502-TP | SCREW | 1 |
| 33 | | A1603-090-000 | FEED BASE SHAFT | 1 |
| 34 | | RE-0300000-K0 | E-RING | 1 |
| 35 | | A1605-090-0A0 | FEED SHAFT ARM ASM. | 1 |
| 36 | | SM-4041055-SP | SCREW | (1) |
| 37 | | WP-0430801-SD | WASHER | (1) |
| 38 | | RE-0200000-K0 | E-RING | 1 |
| 39 | | SM-8030502-TP | SCREW | 1 |
| 40 | | A1710-090-000 | FEED BASE SQUARE BLOCK | 1 |
| 41 | | A1606-090-000 | SCREW | 2 |
| 42 | | B1613-012-A00 | FEED DOG A | 1 |
| 43 | | A1711-090-000 | SQUARE BLOCK SHAFT | 1 |
| 44 | | A1601-096-000 | FEED ROD SHAFT | 1 |
| 45 | | A1612-090-0A0 | FEED ROD ARM ASM. | 1 |
| 46 | | SM-8040602-TP | SCREW | (1) |
| 47 | | SM-5041455-SP | SCREW | (1) |
| 48 | | WP-0430801-SD | WASHER | (1) |
| 49 | | A1203-008-0A0 | THRUST COLLAR ASM. | 1 |
| 50 | | SM-8060502-TP | SCREW | (2) |
| 51 | | A1604-090-000 | REAR BUSHING | 1 |
| 52 | | RE-0800000-K0 | E-RING | 1 |
| 53 | | A1626-090-000 | FEED REGULATOR SHAFT BUSHING | 1 |
| 54 | | SM-5041255-SN | SCREW | 1 |
| 55 | | A1620-090-0B0 | FEED REGULATOR LEVER ARM (PARTIAL ASM.) | 1 |
| 56 | | A1621-090-000 | FEED REGULATOR LEVER SHAFT | (1) |
| 57 | | A1620-090-0A0 | FEED REGULATOR LEVER ARM ASM. | (1) |
| 58 | | A1683-090-000 | SPRING | (1) |
| 59 | | RE-0600000-K0 | E-RING | (1) |
| 60 | | A1623-090-000 | INSTALLING PLATE | (1) |
| 61 | | A1628-090-000 | FEED REGULATOR LEVER | 1 |
| 62 | | SL-5030831-SF | SCREW | 1 |
| 63 | | SM-5041055-SN | SCREW | 1 |
| 64 | | WP-0430801-SC | WASHER | 1 |
| 65 | | SM-5040855-SN | SCREW | 2 |

6. DROP FEED KNOB COMPONENTS



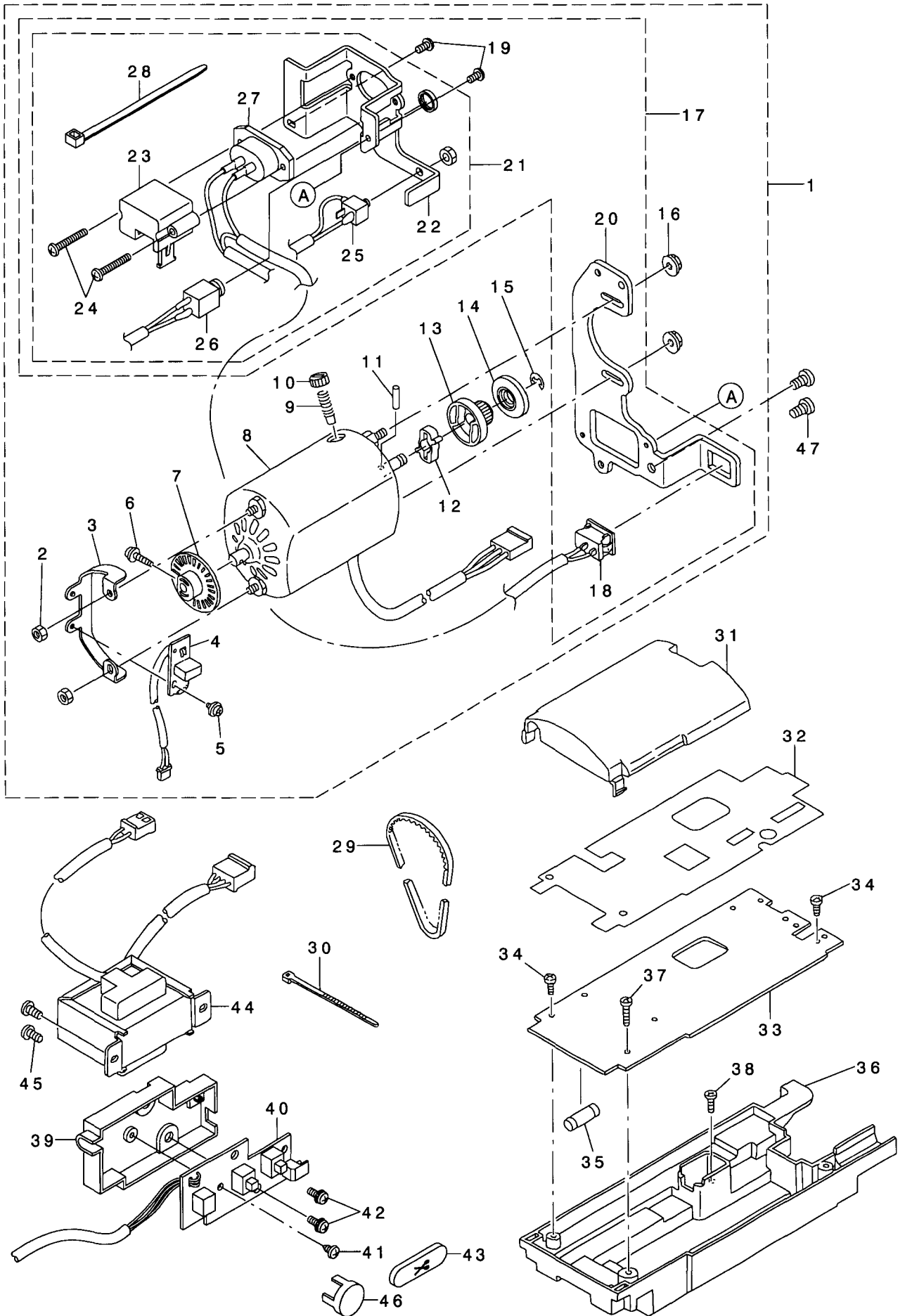
| NO. | NOTE | PART NO. | DESCRIPTION | Qty |
|-----|------|---------------|--|-----|
| 1 | | A1604-090-000 | VERTICAL FEED SHAFT REAR METAL | 1 |
| 2 | | A1203-008-0A0 | THRUST COLLAR ASM. | 1 |
| 3 | | SM-8060502-TP | SCREW | (2) |
| 4 | | RE-0800000-K0 | E-RING | 1 |
| 5 | | A1704-090-0A0 | VERTICAL FEED SHAFT ARM ASM. | 1 |
| 6 | | SM-4041055-SP | SCREW | (1) |
| 7 | | WP-0430801-SD | WASHER | (1) |
| 8 | | A1601-096-000 | VERTICAL FEED SHAFT | 1 |
| 9 | | A1665-096-0B0 | DROP FEED CHANGE SHAFT PLATE MAS. ASM. | 1 |
| 10 | | A1665-096-0A0 | DROP FEED CHANGE SHAFT PLATE ASM. | (1) |
| 11 | | A1663-096-000 | GUIDE PIN A | (1) |
| 12 | | A1662-096-000 | GUIDE | (1) |
| 13 | | A1667-096-000 | SPRING | (1) |
| 14 | | RE-0500000-K0 | E-RING | (1) |
| 15 | | SM-8040402-TP | SCREW | (2) |
| 16 | | A1674-096-000 | DROP FEED KNOB | 1 |
| 17 | | SM-5030855-SN | SCREW | 1 |
| 18 | | RE-0400000-K0 | E-RING | 1 |
| 19 | | A1671-096-0A0 | DROP FEED ADJUSTING ARM ASM. | 1 |
| 20 | | A1668-096-000 | GUIDE SPRING | 1 |
| 21 | | A1673-096-000 | SPRING | 1 |
| 22 | | RE-0800000-K0 | E-RING | 1 |
| 23 | | A1702-096-0A0 | VERTICAL FEED ARM ASM. | 1 |
| 24 | | A1661-096-000 | DROP FEED CONNECTING SHAFT SUPPORT | (1) |
| 25 | | A1702-096-000 | VERTICAL FEED ARM | (1) |
| 26 | | SM-5041055-SN | SCREW | (2) |
| 27 | | SM-8040602-TP | SCREW | 1 |
| 28 | | A2446-096-0A0 | WIRE INSTALLING PLATE ASM. | 1 |
| 29 | | SM-5040855-SN | SCREW | 2 |
| 30 | | WP-1000316-RZ | WASHER | 1 |

7. PRESSER, KNEE LIFTER, WIRE HOLDER AND THREAD RELEASE COMPONENTS



| NO. | NOTE | PART NO. | DESCRIPTION | Qty |
|-----|------|---------------|-----------------------------|-----|
| 1 | | A1509-090-000 | PRESSER REGULATING SCREW | 1 |
| 2 | | A1503-D98-0A0 | PRESSURE INDICATOR ASM. | 1 |
| 3 | | A1505-090-000 | PRESSER SPRING | 1 |
| 4 | | A1501-090-000 | PRESSER BAR | 1 |
| 5 | | A1132-025-000 | SCREW | 1 |
| 6 | | A1507-096-0A0 | PRESSER BAR CONNECTION ASM. | 1 |
| 7 | | SM-8060502-TP | SCREW | (1) |
| 8 | | A1508-090-000 | PRESSER LEVER | 1 |
| 9 | | A1515-090-000 | SPRING | 1 |
| 10 | | B1524-012-0A0 | STANDARD PRESSER FOOT ASM. | 1 |
| 11 | | A1513-090-000 | LIFTING LEVER SHAFT | 1 |
| 12 | | A1512-090-000 | LIFTING LEVER | 1 |
| 13 | | A3406-090-000 | KNEE LIFTER LEVER | 1 |
| 14 | | A3407-090-000 | KNEE LIFTER LEVER SHAFT | 1 |
| 15 | | A3408-090-000 | STOPPING PLATE | 1 |
| 16 | | SM-5040855-SN | SCREW | 2 |
| 17 | | A3413-090-000 | KNEE LIFTER LINK | 1 |
| 18 | | A3411-090-000 | SPRING | 1 |
| 19 | | A3412-096-000 | PLATE | 1 |
| 20 | | A3413-090-00A | SNAP PIN | 2 |
| 21 | | A3410-090-000 | CLAW LEVER SHAFT | 1 |
| 22 | | SM-5041255-SN | SCREW | 2 |
| 23 | | A3422-090-000 | CLAW LEVER ACTUATING PLATE | 1 |
| 24 | | SM-8040602-TP | SCREW | 1 |
| 25 | | A3420-090-000 | KNEE LIFTER LEVER SHAFT | 1 |
| 26 | | A3421-090-000 | SPRING | 1 |
| 27 | | SM-5030455-SF | SCREW | 1 |
| 28 | | A3106-202-000 | WASHER | 1 |
| 29 | | A2440-090-0C0 | WIRE HOLDER MAS. ASM. | 1 |
| 30 | | SM-5030855-SN | SCREW | (3) |
| 31 | | A2449-090-000 | WIRE TUBE HOLDER B | (1) |
| 32 | | A2440-090-0A0 | WIRE HOLDER (PARTIAL ASM.) | (1) |
| 33 | | RE-0300000-K0 | E-RING | (2) |
| 34 | | A2444-090-000 | CONNECTING LINK | (1) |
| 35 | | NS-6620310-SP | NUT | (1) |
| 36 | | SM-5040855-SN | SCREW | 2 |
| 37 | | NS-6620310-SP | NUT | 1 |
| 38 | | A2441-096-000 | WIRE TUBE HOLDER | 1 |
| 39 | | SM-4040655-SN | SCREW | 1 |
| 40 | | A1517-090-0A0 | THREAD RELEASE PLATE ASM. | 1 |
| 41 | | A1517-090-00C | BUSHING | (1) |
| 42 | | A1517-090-00D | SPRING | (1) |
| 43 | | A1517-090-00B | THREAD RELEASE PLATE B | (1) |
| 44 | | RE-0300000-K0 | E-RING | (1) |
| 45 | | A1517-090-00A | THREAD RELEASE PLATE A | (1) |
| 46 | | A1518-090-000 | THREAD RELEASE PLATE SHAFT | (1) |
| 47 | | A1519-090-000 | SPRING | 1 |

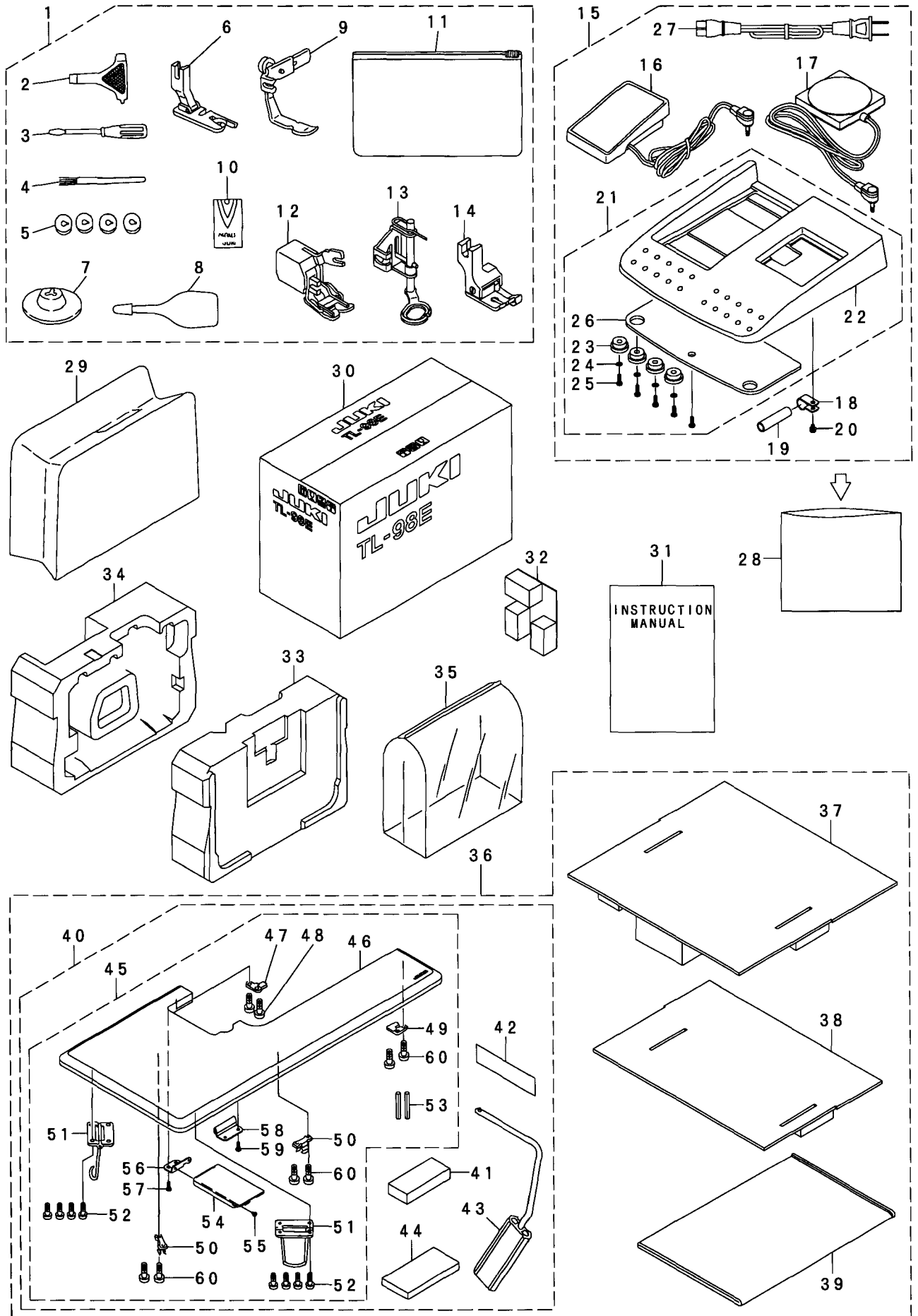
8. MOTOR AND MAIN CIRCUIT BOARD COMPONENTS



| NO. | NOTE | PART NO. | DESCRIPTION | Qty |
|-----|------|---------------|--------------------------------------|-----|
| 1 | | A7100-E98-ZC0 | MOTOR C ASM. | 1 |
| 2 | | NM-6040001-SN | NUT | (2) |
| 3 | | A7120-096-000 | MOTOR BOARD INSTALLING BASE | (1) |
| 4 | | A7122-E98-ZA0 | MP DETECTION BOARD ASM. | (1) |
| 5 | | SL-5030531-SF | SCREW | (1) |
| 6 | | SL-5031251-SP | SCREW | (1) |
| 7 | | A7121-096-0A0 | MP DETECTION BOARD SHUT PLATE ASM. | (1) |
| 8 | | A7100-E98-ZA0 | MOTOR A ASM. | (1) |
| 9 | | A7100-090-00D | CARBON BRUSH | (2) |
| 10 | | A7100-090-00E | BRUSH CAP | (2) |
| 11 | | PS-0200142-KP | MOTOR SHAFT PULLEY PIN | (1) |
| 12 | | A7100-009-00C | MOTOR RUBBER CUSHION | (1) |
| 13 | | A7100-D98-00A | MOTOR SHAFT PULLEY | (1) |
| 14 | | A7100-D98-00B | PULLEY FLANGE | (1) |
| 15 | | RE-0400000-KR | E-RING | (1) |
| 16 | | NM-3040550-SC | NUT | (2) |
| 17 | | A7101-E98-ZA0 | MOTOR BRACKET ASM. | (1) |
| 18 | | A4032-880-000 | POWER SWITCH | (1) |
| 19 | | SM-5030655-SN | SCREW | (2) |
| 20 | | A7101-090-000 | MOTOR BRACKET | (1) |
| 21 | | A4501-E98-ZA0 | INLET INSTALLING PLATE ASM. | (1) |
| 22 | | A4501-E98-Z00 | INLET INSTALLING PLATE | (1) |
| 23 | | A4503-E98-Z00 | INLET COVER | (1) |
| 24 | | SM-5032051-SE | SCREW | (2) |
| 25 | | A7300-E98-ZA0 | EXTERNAL THREAD TRIMMING SOCKET ASM. | (1) |
| 26 | | A4015-E98-ZA0 | CONTROLLER SOCKET ASM. | (1) |
| 27 | | A4100-E98-ZA0 | POWER CORD INLET ASM. | (1) |
| 28 | | A4078-550-00B | CLIP BAND | (1) |
| 29 | | A7112-090-000 | MOTOR TIMING BELT | 1 |
| 30 | | A4078-550-00B | MAIN BOARD CLIP BAND | 4 |
| 31 | | A4042-090-000 | CASE COVER | 1 |
| 32 | | A4044-096-000 | COVER | 1 |
| 33 | | A4040-E98-ZA0 | MAIN BOARD ASM. | 1 |
| 34 | | ST-5030851-SN | SCREW | 2 |
| 35 | | HF-0059050-PO | FUSE | 1 |
| 36 | | A4043-090-000 | MAIN BOARD CASE | 1 |
| 37 | | SM-5031401-SE | SCREW B | 1 |
| 38 | | SL-5030831-SF | SCREW A | 1 |
| 39 | | A3225-096-000 | THREAD TRIMMER SWITCH BOARD CASE | 1 |
| 40 | | A3227-096-0A0 | THREAD TRIMMER SWITCH BOARD ASM. | 1 |
| 41 | | ST-5030551-SR | SCREW | 1 |
| 42 | | SL-5030831-SF | SCREW | 2 |
| 43 | | A3228-096-000 | THREAD TRIMMER SWITCH BUTTON | 1 |
| 44 | | A4505-E98-ZA0 | POWER TRANSFORMER ASM. | 1 |
| 45 | | SM-5040855-SN | SCREW | 2 |
| 46 | | A4011-096-000 | HALF STITCH SWITCH BUTTON | 1 |
| 47 | | SM-5050855-SN | SCREW | 2 |

| NO. | NOTE | PART NO. | DESCRIPTION | Qty |
|-----|------|-------------------|--|------|
| 1 | | A1872-090-0B0 | MOVING KNIFE BASE MAS. ASM. | 1 |
| 2 | | A1873-090-000 | SCREW | (1) |
| 3 | | A1888-096-000 | MOVING KNIFE | (1) |
| 4 | | D2404-555-B00 | COUNTER KNIFE MOUNTING PLATE | (1) |
| 5 | | A1872-090-0A0 | MOVING KNIFE BASE ASM. | (1) |
| 6 | | RE-0400000-K0 | E-RING | (1) |
| 7 | | SM-5030655-SN | SCREW | (2) |
| 8 | | D2406-555-D0H | COUNTER KNIFE | (1) |
| 9 | | SS-2060210-SP | SCREW | (1) |
| 10 | | A1890-090-000A | KNIFE THREAD GUIDE | (10) |
| 11 | | SM-4040855-SP | SCREW | 2 |
| 12 | | A1882-090-000 | MOVING KNIFE LINK | 1 |
| 13 | | RE-0400000-K0 | E-RING | 2 |
| 14 | | A1869-090-000 | MOVING KNIFE ARM SPRING | 1 |
| 15 | | SM-4050855-SP | SCREW | 2 |
| 16 | | A1870-096-0C0 | MOVING KNIFE INSTALLING PLATE MAS. ASM. | 1 |
| 17 | | RE-0500000-K0 | E-RING | (1) |
| 18 | | A1876-090-0A0 | MOVING KNIFE ARM ASM. | (1) |
| 19 | | RE-0500000-K0 | E-RING | (1) |
| 20 | | A1870-090-0A0 | MOVING KNIFE INSTALLING PLATE ASM. | (1) |
| 21 | | A1881-090-000 | SPRING | (1) |
| 22 | | A1878-090-0A0 | MOVING KNIFE ROLLER ARM ASM. | (1) |
| 23 | | RE-0400000-K0 | E-RING | (2) |
| 24 | | A1880-090-000 | ROLLER ARM SHAFT | (1) |
| 25 | | A1725-090-000 | THREAD TRIMMER SOLENOID LINK B | (1) |
| 26 | | RE-0400000-K0 | E-RING | (1) |
| 27 | | A1728-090-00A | WASHER | (1) |
| 28 | | A1727-096-0A0 | LOOPER LINK ARM ASM. | (1) |
| 29 | | A1729-090-000A | SPRING | (1) |
| 30 | | A1721-096-00B | SOLENOID SUPPORT COLLAR | 2 |
| 31 | | A1721-096-00C | CUSHION RUBBER | 2 |
| 32 | | RE-0400000-K0 | E-RING | 1 |
| 33 | | A1705-D98-0B0 | LOOPER MAS. ASM. | 1 |
| 34 | | A1706-090-0A0 | LOOPER INSTALLING PLATE ASM. | (1) |
| 35 | | A1707-090-000 | LOOPER SHAFT | (1) |
| 36 | | RE-0300000-K0 | E-RING | (6) |
| 37 | | A1712-090-0A0 | LOOPER CAM ASM. | (1) |
| 38 | | A1730-090-00A | LOOPER LINK A | (1) |
| 39 | | A1731-090-000 | WASHER | (1) |
| 40 | | A1730-090-00B | LOOPER LINK B | (1) |
| 41 | | SM-5030655-SN | SCREW | (2) |
| 42 | | A1708-090-000 | LOOPER SPRING | (1) |
| 43 | | A1705-D98-000 | LOOPER | (1) |
| 44 | | SM-5040855-SN | SCREW | 2 |
| 45 | | A1721-E98-ZC0 | THREAD TRIMMER SOLENOID MAS. ASM. | 1 |
| 46 | | A1721-096-000 | THREAD TRIMMER SOLENOID INSTALLING PLATE | (1) |
| 47 | | NS-6660430-SP | NUT | (1) |
| 48 | | NS-6660410-SH | NUT | (1) |
| 49 | | 1 1 0 - 4 3 3 0 4 | SOLENOID RUBBER B | (1) |
| 50 | | A2400-E98-ZA0 | THREAD TRIMMER SOLENOID ASM. | (1) |
| 51 | | 1 1 0 - 4 3 2 0 5 | SOLENOID RUBBER A | (1) |
| 52 | | NM-6040001-SN | NUT | (2) |
| 53 | | WP-0430801-SC | WASHER | (2) |
| 54 | | SM-5051455-SF | SCREW | 2 |
| 55 | | A4078-550-00B | CLIP BAND | 1 |
| 56 | | A1723-090-0B0 | THREAD TRIMMER SOLENOID LINK A MAS. ASM | 1 |
| 57 | | RE-0300000-K0 | E-RING | (1) |
| 58 | | A1723-090-0A0 | THREAD TRIMMER SOLENOID LINK A ASM. | (1) |
| 59 | | A1722-090-000A | PIN | (1) |
| 60 | | SM-8050602-TP | SCREW | (1) |
| 61 | | A1724-090-000 | HINGE SCREW | (1) |
| 62 | | A1721-096-00A | CUSHION RUBBER SUPPORT PLATE | 2 |

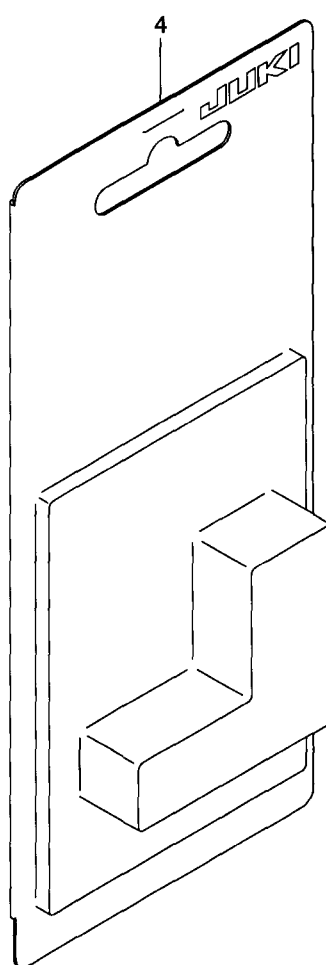
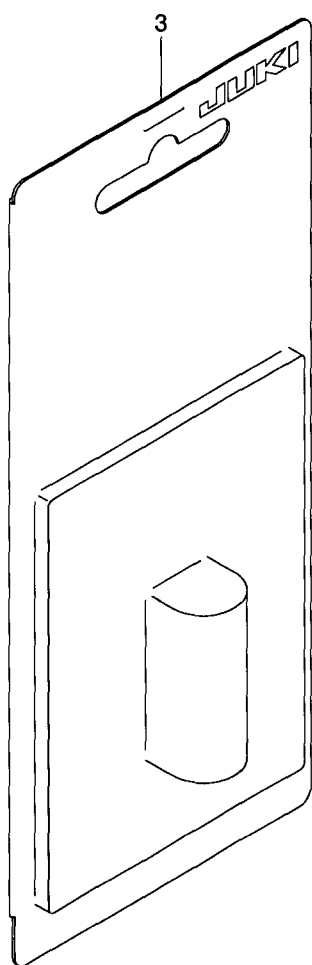
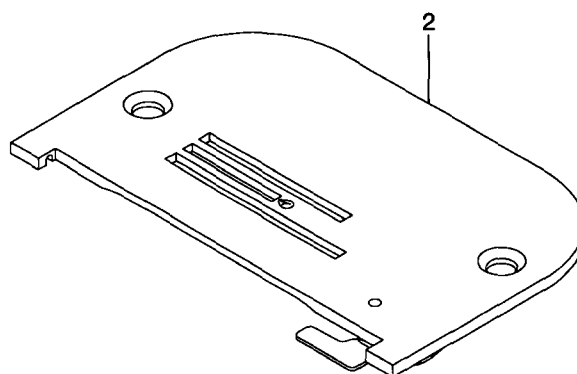
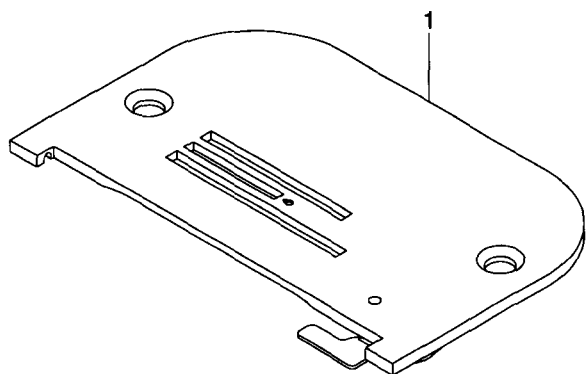
10. ACCESSORIES AND PACKING COMPONENTS



| NO. | NOTE | PART NO. | DESCRIPTION | Qty |
|-----|------|----------------|---|-----|
| 1 | | A9121-E98-ZA0 | ACCESSORY BAG ASM. | 1 |
| 2 | | A9110-700-000 | SCREWDRIVER | (1) |
| 3 | | A9107-102-000 | SCREWDRIVER (SMALL) | (1) |
| 4 | | A9137-956-000 | CLEANING BRUSH | (1) |
| 5 | | A9117-007-000 | BOBBIN | (4) |
| 6 | | A9104-090-000 | HEMMER | (1) |
| 7 | | A1150-090-000 | SPOOL CAP | (1) |
| 8 | | A9102-062-BA0 | OILER | (1) |
| 9 | | A9133-090-000 | ZIPPER FOOT | (1) |
| 10 | | MHA1M-111422 | NEEDLE (HA x 1 #11, #14) | (1) |
| 11 | | A9121-503-000 | ACCESSORY BAG | (1) |
| 12 | | A9150-E98-ZA0 | UPPER FEED ATTACHMENT ASM. | (1) |
| 13 | | A5133-E98-ZA0A | QUILTER'S FOOT ASM. | (1) |
| 14 | | A5140-E98-ZA0 | COMPENSATING FOOT ASM. | (1) |
| 15 | | A8001-E98-ZB0 | PEDAL SWITCH CASE MAS. ASM. | 1 |
| 16 | | A7102-E98-ZA0 | CONTROLLER ASM. | (1) |
| 17 | | A7310-E98-Z00 | EXTERNAL THREAD TRIMMER SWITCH | (1) |
| 18 | | HX-0012300-0A | CORD HOLDER | (1) |
| 19 | | A8005-E98-Z00 | CORD PROTECTION TUBE | (1) |
| 20 | | SL-5030631-SF | SCREW | (1) |
| 21 | | A8001-096-0A0 | PEDAL SWITCH CASE ASM. | (1) |
| 22 | | A8001-096-000 | PEDAL SWITCH CASE | (1) |
| 23 | | A1161-008-000A | RUBBER SEAT | (4) |
| 24 | | WP-0430801-SC | WASHER | (4) |
| 25 | | ST-5031051-SR | SCREW | (5) |
| 26 | | A8002-096-000 | PEDAL SWITCH INSTALLING PLATE | (1) |
| 27 | | A6071-776-ZA0A | POWER CORD SET ASM. (UL) | (1) |
| 28 | | A8006-096-000 | PEDAL SWITCH CASE ASM. PACKING BAG | 1 |
| 29 | | A8401-090-000A | MAIN BODY CASE | 1 |
| 30 | | A9300-E98-Z00A | CARTON CASE (HEAD) | 1 |
| 31 | | A9303-E98-Z00 | INSTRUCTION MANUAL | 1 |
| 32 | | A9402-D98-0A0 | SET PLATE ASM. | 1 |
| 33 | | A9301-090-000A | FRONT STYROFOAM | 1 |
| 34 | | A9302-090-000A | REAR STYROFOAM | 1 |
| 35 | | J0231-082-A0B | HEAD VINIL SHEET | 1 |
| 36 | | A8501-E98-ZJ0 | AUXILIARY TABLE PACKING MAS. ASM. | 1 |
| 37 | | A9401-D98-0AA | AUXILIARY TABLE SUPPORT PLATE, LEFT ASM. | (1) |
| 38 | | A9400-D98-0AA | AUXILIARY TABLE SUPPORT PLATE, RIGHT ASM. | (1) |
| 39 | | A9404-090-000 | AUXILIARY TABLE POLYETHYLENE BAG | (1) |
| 40 | | A8501-E98-ZB0 | AUXILIARY TABLE MAS. ASM. | (1) |
| 41 | | A9406-D98-000 | KNEE PAD | (1) |
| 42 | | A9405-D98-000 | KNEE PAD FIXING TAPE | (3) |
| 43 | | A3425-090-0A0 | KNEE PAD ASM. | (1) |
| 44 | | A9405-090-000 | KNEE PAD METAL FITTING BUFFER | (1) |
| 45 | | A8501-E98-ZA0 | AUXILIARY TABLE ASM. | (1) |
| 46 | | A8501-E98-Z00 | AUXILIARY TABLE | (1) |
| 47 | | A8502-090-000 | AUXILIARY TABLE CLAW A | (1) |
| 48 | | ST-0751651-SN | SCREW | (2) |
| 49 | | A8503-090-000 | AUXILIARY TABLE CLAW B | (1) |
| 50 | | A8504-090-000 | KNEE PAD RETAINER | (2) |
| 51 | | A8505-090-0A0 | AUXILIARY TABLE STAND ASM. | (2) |
| 52 | | ST-5041211-SN | SCREW | (8) |
| 53 | | PS-0200142-KH | PIN | (2) |
| 54 | | A8508-D98-000 | BOBBIN LID | (1) |
| 55 | | SL-5030635-SN | SCREW | (2) |
| 56 | | A8509-D98-000 | LID INSTALLING PLATE | (1) |
| 57 | | ST-5041211-SN | SCREW | (2) |
| 58 | | A8510-D98-000 | HOOK SUPPORT BASE | (1) |
| 59 | | ST-5041211-SN | SCREW | (2) |
| 60 | | ST-5041211-SN | SCREW | (6) |

PERIOD OF SUPPLY OF PACKING MATERIALS IS 6 MONTHS AFTER COMPLETION OF PRODUCTION.

11. SEPARATELY-SOLD COMPONENTS



| NO. | NOTE | PART NO. | DESCRIPTION | Qty |
|-----|------|---------------|--------------------------------------|-----|
| 1 | | A1109-090-AA0 | NEEDLE PLATE (FOR THIN MATERIALS) | 1 |
| 2 | | A1109-090-BA0 | NEEDLE PLATE (FOR THICK MATERIALS) | 1 |
| 3 | | A9812-E98-ZA0 | LAMP BLISTER PACK ASM. | 1 |
| 4 | | A9813-E98-ZA0 | PRESSER FOOT FOR THIN MATERIALS ASM. | 1 |

JUKI CORPORATION
INTERNATIONAL SALES DIVISION
8-2-1, KOKURYO-CHO,
CHOFU-SHI, TOKYO 182-8655
JAPAN

PHONE : 03(3480)5034
FAX : 03(3480)5037

Copyright © 2002 JUKI CORP.
All rights reserved throughout the world.

02.3 Printed in Japan